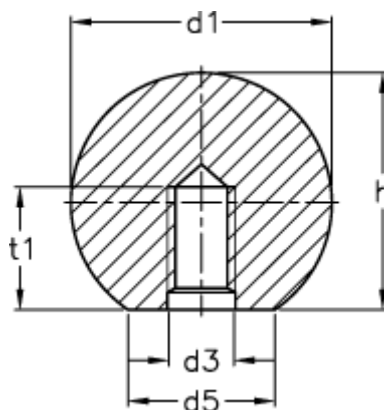


Article number: 20424460

Description: E+G Ball knob DIN 319-NI-40-M10-C
St. steel

Measures



d1	= 40
d3	= M10
d5	= 22
h	= 37.0
t1 min.	= 18.0